

Uniblock 25 Langloch

Uniblock 25 EH

Beschreibung Kunststoff PA zur variablen Befestigung von Flächenelementen an Aluminiumprofilen

Material Block: Kunststoff PA, glasfaserverstärkt
Mutter: Stahl, verzinkt

Farbe schwarz

Liefereinheit 100 Stück

Extras ⚡ elektrostatisch ableitfähig, weitere Größen, weitere Farben auf Anfrage

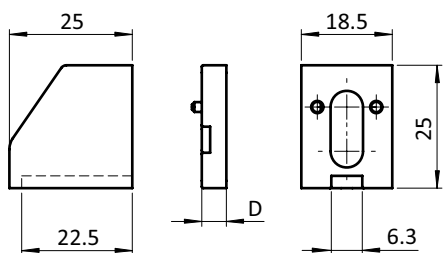
Description Nylon PA To join panels and aluminum profiles of various dimensions

Material Block: Nylon PA, glass fibre reinforced
Nut: Zinc plated steel

Color Black

Pack Quantity 100 pieces

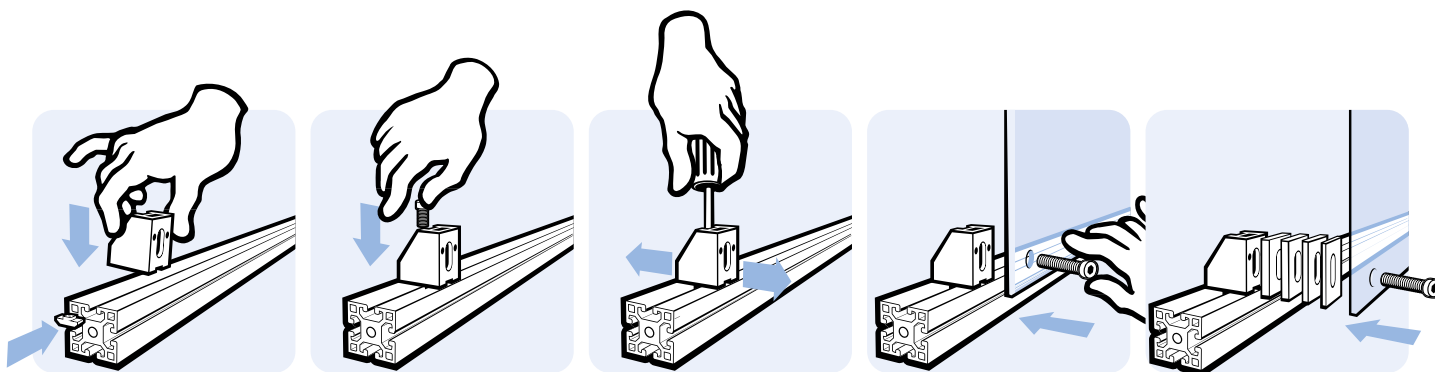
Specials ⚡ electrostatically conductive, other sizes, other colors on request



Uniblock 25 EH	Gewinde Thread	D [mm]	Gewicht [g] Weight [g]	Teil-Nr. Part #
	M4		10.0	094010M4
	M5		10.0	094010M5
	M6		10.0	094010M6
	UNC 1/4-20		10.0	094010U1/4
Distanzstück <i>Spacer</i>		*2.0	1.0	094102
		3.0	1.2	094103
		5.0	2.1	094105

* keine weiteren Distanzstücke aufsteckbar!

* no further spacers can be added!





**NEU
NEW**

Winkelblock 40/45

Angle Block 40/45

Beschreibung Aluminiumdruckguss, Profil 40 + 45
Befestigung von Flächenelementen an Aluminiumprofilen, besonders für hohe Belastungen auf der Fläche

Material Aluminiumdruckguss

Oberfläche blank

Montageset 2 Hammerschrauben M8 x 25,
2 Flanschmuttern M8

Liefereinheit 10 Stück

Extras weitere Oberflächen, weitere Farben auf Anfrage

Die-cast Aluminum, Profile 40 + 45

Description *To attach panels to aluminum profiles; especially for high load bearing on the panels*

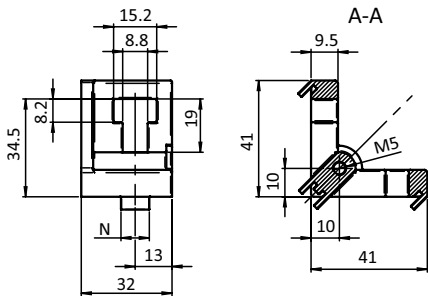
Material *Die-cast zinc*

Surface *Black zinc plated (RoHS compliant)*

Assembly Set *2 hammer screws M8 x 25,
2 flange nuts M8*

Pack Quantity *10 pieces*

Specials *Other surfaces, other colors on request*



Winkelblock 40/45
Angle Block 40/45

Maße [mm]
Dimensions [mm]

N

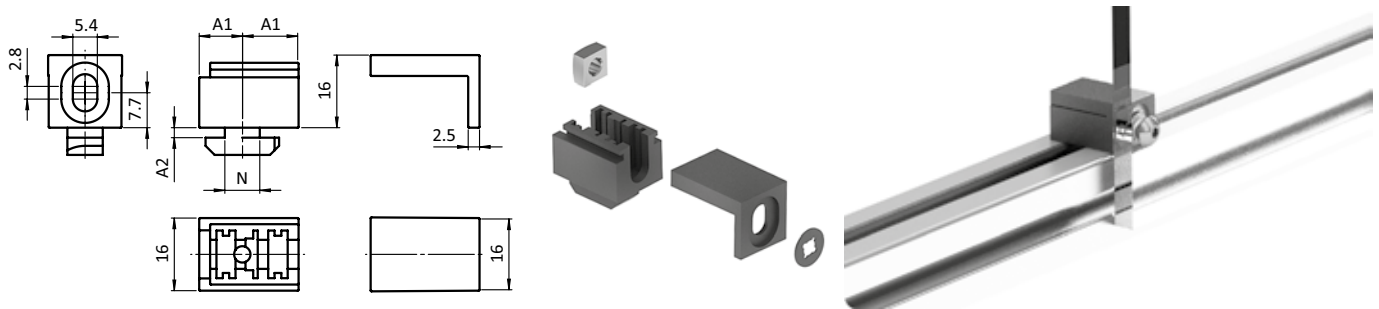
Gewicht [g]
Weight [g]

Teil-Nr.
Part #

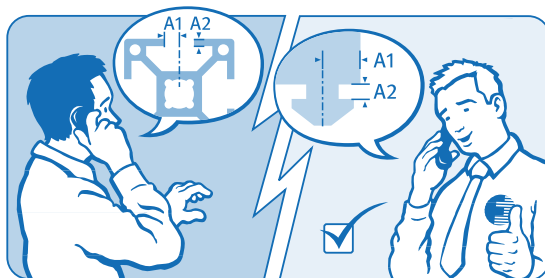
Winkelblock 40/45 Angle Block 40/45	Maße [mm] Dimensions [mm]	N	Gewicht [g] Weight [g]		Teil-Nr. Part #
	M5	10	48.7	B	094A4045
inkl. Montageset <i>With assembly set</i>	M5	10	75.6	B	094A4045S01

VARIO BLOCK 18 CS

MODEL	Plastic PA, slot 8
DESCRIPTION	To attach panels simply to aluminum profiles; with screw retainer to comply with Machinery Directive 2006/42/EC
MATERIAL	Block: Plastic PA, glass fiber reinforced Nut: Steel
SURFACE	Nut: Zinc plated
COLOR	Block: Black or Gray 7004
PACK QUANTITY	100 pieces
SPECIALS	Other colors on request
TIP	* A1 size with spacer!



Color	Thread	A1 [mm]	A2 (Profile) [mm]	N	Weight [g]	Profile	Part #
Black	M5	9.5 / 12* / 12.5 / 15*	2.2 (2.2)	8	8.8	B	094511M5CS
Gray 7004	M5	9.5 / 12* / 12.5 / 15*	2.2 (2.2)	8	8.8	B	094511M5CSS01





Uniblock 25

Uniblock 25

Beschreibung Kunststoff PA, Nut 8, 9, 10, 12
 zur einfachen Befestigung von Flächenelementen
 an Aluminiumprofilen

Material Block: Kunststoff PA, glasfaserverstärkt
 Mutter: Stahl, verzinkt

Farbe schwarz

Liefereinheit 100 Stück

Extras individueller Hammer, weitere Farben auf Anfrage

Nylon PA, Slot 8, 9, 10, 12

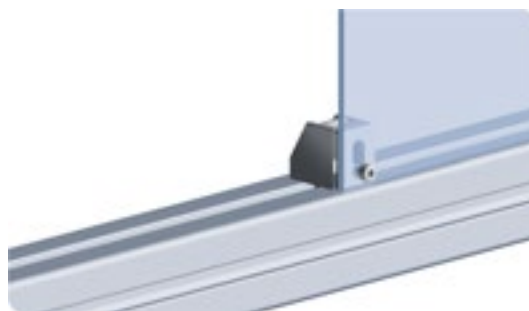
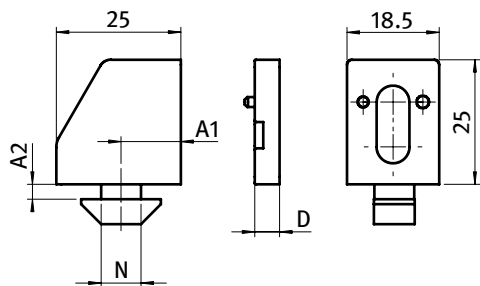
Description *To attach panels easily to aluminum profiles*

Material *Block: Nylon PA, glass fibre reinforced*
Nut: Zinc plated steel

Color *Black*

Pack Quantity *100 pieces*

Specials *Customized hammer, other colors on request*



Uniblock 25	N	Gewinde Thread	A1 [mm]	A2 [mm]	D [mm]	Gewicht [g] Weight [g]		Teil-Nr. Part #
	8	M4	A1	A2	-	10.5		UNI25N8M4
	8	M5	A1	A2	-	10.5		UNI25N8M5
	8	M6	A1	A2	-	10.5		UNI25N8M6
	10	M4	A1	A2	-	10.5		UNI25N10M4
	10	M5	A1	A2	-	10.5		UNI25N10M5
	10	M6	A1	A2	-	10.5		UNI25N10M6
	12	M4	A1	A2	-	10.5		UNI25N12M4
	12	M5	A1	A2	-	10.5		UNI25N12M5
	12	M6	A1	A2	-	10.5		UNI25N12M6
	8	M4	8.0	4.35	-	9.8	I	094003M4
	8	M5	8.0	4.35	-	9.7	I	094003M5
	8	M6	8.0	4.35	-	9.6	I	094003M6
	8	M4	12.0	4.4	-	9.8	I	094020M4
	8	M5	12.0	4.4	-	9.7	I	094020M5
	8	M6	12.0	4.4	-	9.6	I	094020M6
	8	M4	14.0	4.6	-	10.0	I	094080M4
	8	M5	14.0	4.6	-	9.9	I	094080M5
	8	M6	14.0	4.6	-	9.8	I	094080M6
	10	M4	8.5	5.7	-	10.6	B	094008M4
	10	M5	8.5	5.7	-	10.5	B	094008M5
	10	M6	8.5	5.7	-	10.4	B	094008M6
	10	M4	9.5	5.6	-	10.6	B	094004M4
	10	M5	9.5	5.6	-	10.5	B	094004M5
	10	M6	9.5	5.6	-	10.4	B	094004M6
	10	M4	14.0	6.0	-	10.4	B	094005M4
	10	M5	14.0	6.0	-	10.3	B	094005M5
	10	M6	14.0	6.0	-	10.2	B	094005M6
Distanzstück <i>Spacer</i>	-	-	-	-	*2.0	1.0		094102
	-	-	-	-	3.0	1.2		094103
	-	-	-	-	5.0	2.1		094105

* keine weiteren Distanzstücke aufsteckbar!

* no further spacers can be added!



Uniblock 18

Uniblock 18

Beschreibung Kunststoff PA, Nut 6, 8, 10, 12
zur einfachen Befestigung von Flächenelementen an Aluminiumprofilen

Material Block: Kunststoff PA, glasfaserverstärkt
Mutter: Stahl, verzinkt

Farbe schwarz

Liefereinheit 100 Stück

Extras individueller Hammer, weitere Farben auf Anfrage

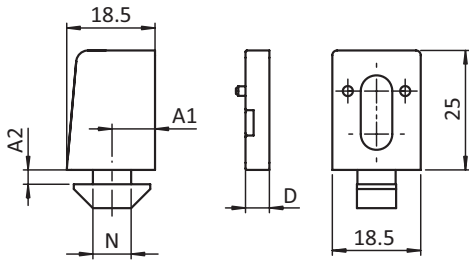
Description Nylon PA, Slot 6, 8, 10, 12
To attach panels easily to aluminum profiles

Material Block: Nylon PA, glass fibre reinforced
Nut: Zinc plated steel

Color Black

Pack Quantity 100 pieces

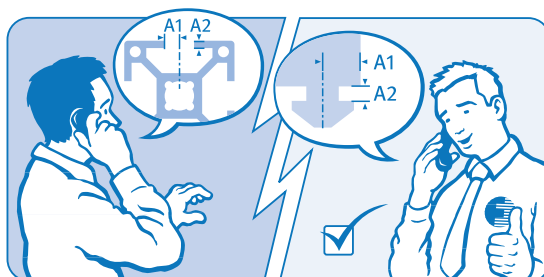
Specials Customized hammer, other colors on request



Uniblock 18	N	Gewinde Thread	A1 [mm]	A2 [mm]	D [mm]	Gewicht [g] Weight [g]	Teil-Nr. Part #
	6	M4	A1	A2	-	9.0	UNI18N6M4
	6	M5	A1	A2	-	9.0	UNI18N6M5
	6	M6	A1	A2	-	9.0	UNI18N6M6
	8	M4	A1	A2	-	9.0	UNI18N8M4
	8	M5	A1	A2	-	9.0	UNI18N8M5
	8	M6	A1	A2	-	9.0	UNI18N8M6
	10	M4	A1	A2	-	9.0	UNI18N10M4
	10	M5	A1	A2	-	9.0	UNI18N10M5
	10	M6	A1	A2	-	9.0	UNI18N10M6
	12	M4	A1	A2	-	9.0	UNI18N12M4
	12	M5	A1	A2	-	9.0	UNI18N12M5
	12	M6	A1	A2	-	9.0	UNI18N12M6
	6	M4	7.0	2.7	-	8.0	I 094100M4
	6	M5	7.0	2.7	-	8.1	I 094100M5
	6	M6	7.0	2.7	-	8.2	I 094100M6
	8	M4	7.0	1.9	-	8.3	B 094002M4
	8	M5	7.0	1.9	-	8.4	B 094002M5
	8	M6	7.0	1.9	-	8.6	B 094002M6
Distanzstück <i>Spacer</i>	-	-	-	-	*2.0	1.0	094102
	-	-	-	-	3.0	1.2	094103
	-	-	-	-	5.0	2.1	094105

* keine weiteren Distanzstücke aufsteckbar!

* no further spacers can be added!





**NEU
NEW**

Uniblock 18 CS

mit Verliersicherung für Schraube

Beschreibung zur sicheren Befestigung von Flächenelementen an Aluminiumprofilen; mit Verliersicherung für Schraube gemäß Maschinenrichtlinie 2006/42/EG

Material Block: Kunststoff PA, glasfaserverstärkt
Mutter: Stahl, verzinkt

Farbe schwarz

Liefereinheit 100 Stück

Extras individueller Hammer, weitere Farben auf Anfrage

Uniblock 18 CS

with Screw Retainer

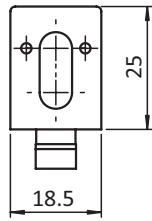
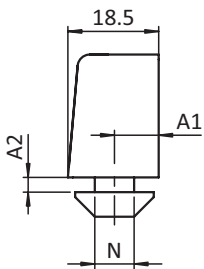
Description To attach panels safely to aluminum profiles; with screw retainer to comply with Machinery Directive 2006/42/EC

Material Block: Nylon PA, glass fibre reinforced
Nut: Zinc plated steel

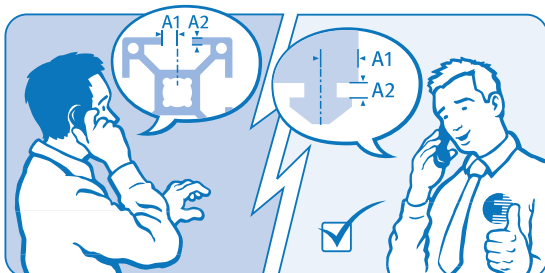
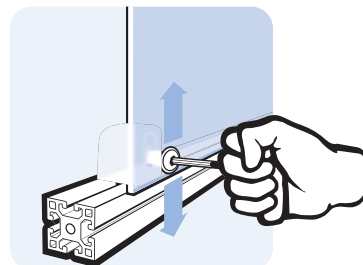
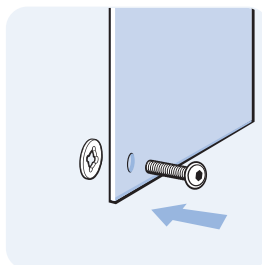
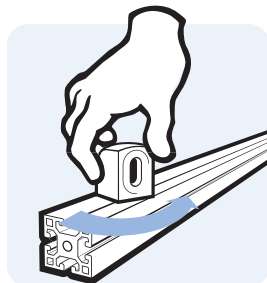
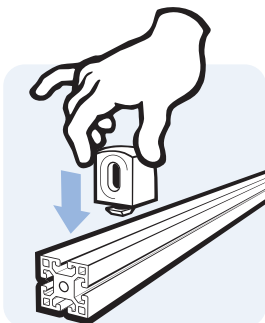
Color Black

Pack Quantity 100 pieces

Specials Customized hammer, other colors on request



Uniblock 18 CS	N	Gewinde Thread	A1 [mm]	A2 [mm]	Gewicht [g] Weight [g]		Teil-Nr. Part #
	6	M5	A1	A2	9.0		UNI18CSN6M5
	6	M6	A1	A2	9.0		UNI18CSN6M6
	8	M5	A1	A2	9.2		UNI18CSN8M5
	8	M6	A1	A2	9.2		UNI18CSN8M6
	10	M5	A1	A2	9.3		UNI18CSN10M5
	10	M6	A1	A2	9.3		UNI18CSN10M6
	12	M5	A1	A2	9.5		UNI18CSN12M5
	12	M6	A1	A2	9.5		UNI18CSN12M6
	6	M6	7.0	2.7	9.0	I	094100CSM6
	8	M6	7.0	1.9	8.5	B	094002CSM6





Uniblock 25

Uniblock 25

Beschreibung Kunststoff PA, Nut 8, 9, 10, 12
 zur einfachen Befestigung von Flächenelementen an Aluminiumprofilen

Material Block: Kunststoff PA, glasfaserverstärkt
 Mutter: Stahl, verzinkt

Farbe schwarz

Liefereinheit 100 Stück

Extras individueller Hammer, weitere Farben auf Anfrage

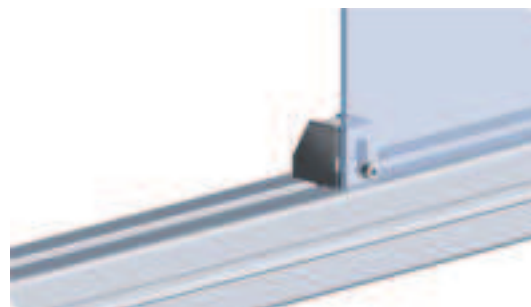
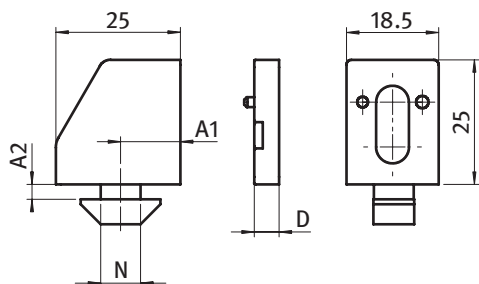
Description Nylon PA, Slot 8, 9, 10, 12
 To attach panels easily to aluminum profiles

Material Block: Nylon PA, glass fibre reinforced
 Nut: Zinc plated steel

Color Black

Pack Quantity 100 pieces

Specials Customized hammer, other colors on request



Uniblock 25	N	Gewinde Thread	A1 [mm]	A2 [mm]	D [mm]	Gewicht [g] Weight [g]		Teil-Nr. Part #
	8	M4	A1	A2	-	10.5		UNI25N8M4
	8	M5	A1	A2	-	10.5		UNI25N8M5
	8	M6	A1	A2	-	10.5		UNI25N8M6
	10	M4	A1	A2	-	10.5		UNI25N10M4
	10	M5	A1	A2	-	10.5		UNI25N10M5
	10	M6	A1	A2	-	10.5		UNI25N10M6
	12	M4	A1	A2	-	10.5		UNI25N12M4
	12	M5	A1	A2	-	10.5		UNI25N12M5
	12	M6	A1	A2	-	10.5		UNI25N12M6
	8	M4	8.0	4.35	-	9.8	I	094003M4
	8	M5	8.0	4.35	-	9.7	I	094003M5
	8	M6	8.0	4.35	-	9.6	I	094003M6
	8	M4	12.0	4.4	-	9.8	I	094020M4
	8	M5	12.0	4.4	-	9.7	I	094020M5
	8	M6	12.0	4.4	-	9.6	I	094020M6
	8	M4	14.0	4.6	-	10.0	I	094080M4
	8	M5	14.0	4.6	-	9.9	I	094080M5
	8	M6	14.0	4.6	-	9.8	I	094080M6
	10	M4	8.5	5.7	-	10.6	B	094008M4
	10	M5	8.5	5.7	-	10.5	B	094008M5
	10	M6	8.5	5.7	-	10.4	B	094008M6
	10	M4	9.5	5.6	-	10.6	B	094004M4
	10	M5	9.5	5.6	-	10.5	B	094004M5
	10	M6	9.5	5.6	-	10.4	B	094004M6
	10	M4	14.0	6.0	-	10.4	B	094005M4
	10	M5	14.0	6.0	-	10.3	B	094005M5
	10	M6	14.0	6.0	-	10.2	B	094005M6
Distanzstück <i>Spacer</i>	-	-	-	-	*2.0	1.0		094102
	-	-	-	-	3.0	1.2		094103
	-	-	-	-	5.0	2.1		094105

* keine weiteren Distanzstücke aufsteckbar!

* no further spacers can be added!