



**Zentralverbinder**

**Central Connector**

**Beschreibung** Stahl zur rechtwinkligen Verbindung von zwei Aluminiumprofilen; zur Montage muss ein Sack- oder Durchgangsloch in eines der Profile gebohrt werden

**Material** Stahl

**Oberfläche** verzinkt

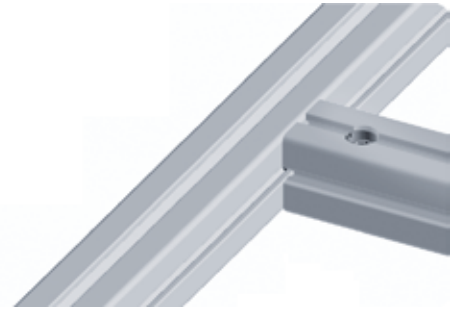
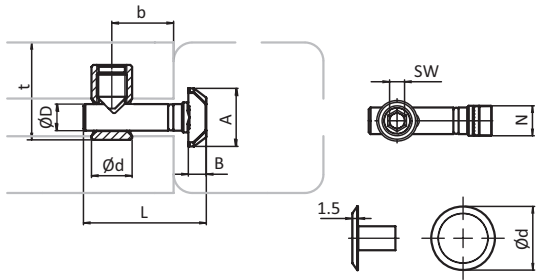
**Liefereinheit** 10 Stück

**Description** *Steel* To connect two aluminum profiles at right angles; a blind or through hole must be drilled through one of the profiles to provide access to the tightening screw

**Material** *Steel*

**Surface** *Zinc plated*

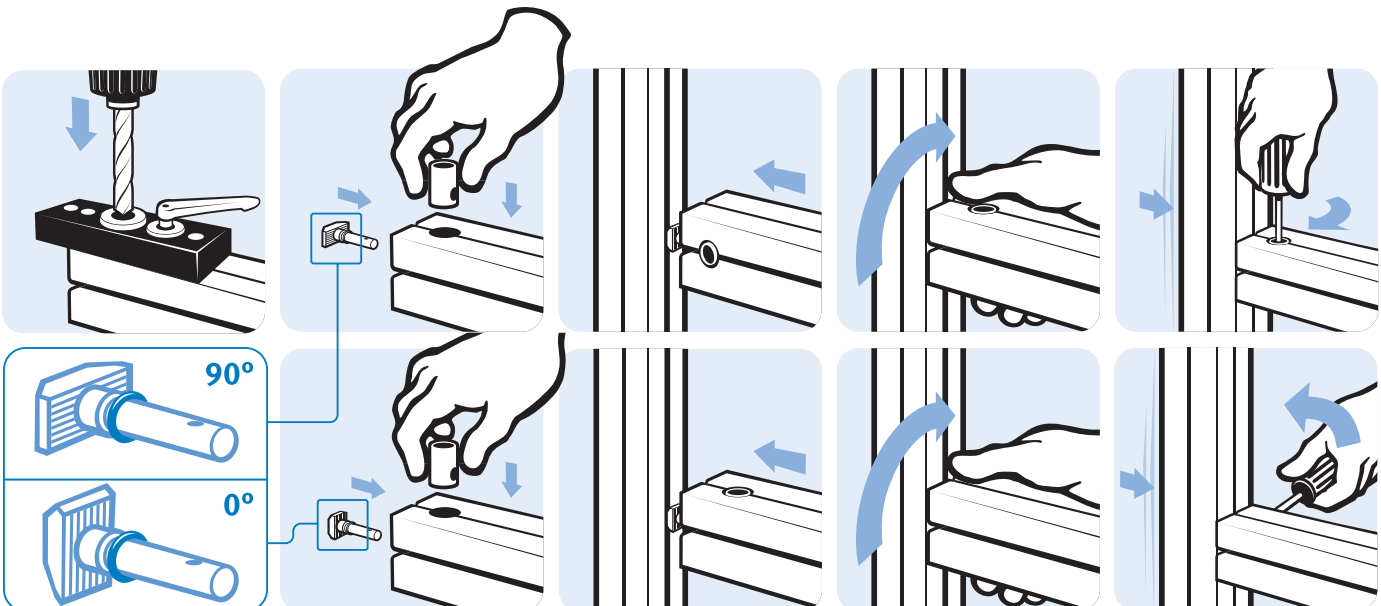
**Pack Quantity** *10 pieces*



Ausführung Version	N	A [mm]	B [mm]	b [mm]	d [mm]	t [mm]	D [mm]	L [mm]	SW [mm]	Gewicht [g] Weight [g]		Teil-Nr. Part #
0°	8	15.5	5.0	18.0	Ø11	22.0	7.0	33.0	4	21.0	B	099B08110700
90°	8	15.5	5.0	18.0	Ø11	22.0	7.0	33.0	4	20.0	B	099B08110790
0°	8 / 10	19.5	5.5	18.0	Ø11	22.0	7.0	40.0	4	26.0	B	099B08110700S01
90°	8 / 10	19.5	5.5	18.0	Ø11	22.0	7.0	40.0	4	26.0	B	099B08110790S01
0°	10	19.5	5.5	22.5	Ø17	31.0 *(1) 34.0 *(2) 36.0 *(3) 41.0 *(4)	9.7	45.5	6	56.0	B	099B10171000
90°	10	19.5	5.5	22.5	Ø17	31.0 *(1) 34.0 *(2) 36.0 *(3) 41.0 *(4)	9.7	45.5	6	56.0	B	099B10171090
Abdeckkappe Cover Cap	10 *(1) *(2)	-	-	-	Ø17	-	-	-	-	0.6	B	091107
	10 *(3)	-	-	-	Ø17	-	-	-	-	0.6	B	091108

\* (1) = Profil 40; (2) = Profil 45; (3) = Profil 50; (4) = Profil 60

\* (1) = profile 40; (2) = profile 45; (3) = profile 50; (4) = profile 60





**Zentralverbinder**

**Central Connector**

**Beschreibung** Stahl zur rechtwinkligen Verbindung von zwei Aluminiumprofilen; zur Montage muss ein Sack- oder Durchgangsloch in eines der Profile gebohrt werden

**Material** Stahl

**Oberfläche** verzinkt

**Liefereinheit** 10 Stück

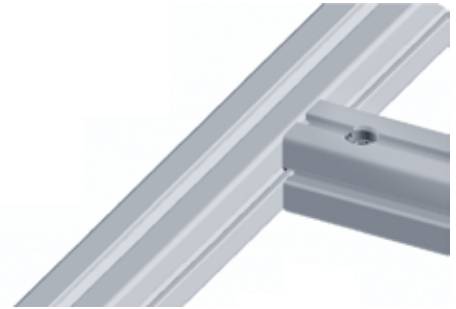
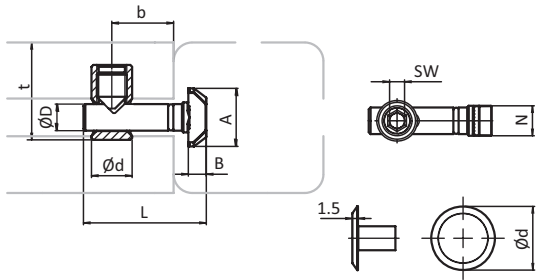
**Steel**

**Description** To connect two aluminum profiles at right angles; a blind or through hole must be drilled through one of the profiles to provide access to the tightening screw

**Material** Steel

**Surface** Zinc plated

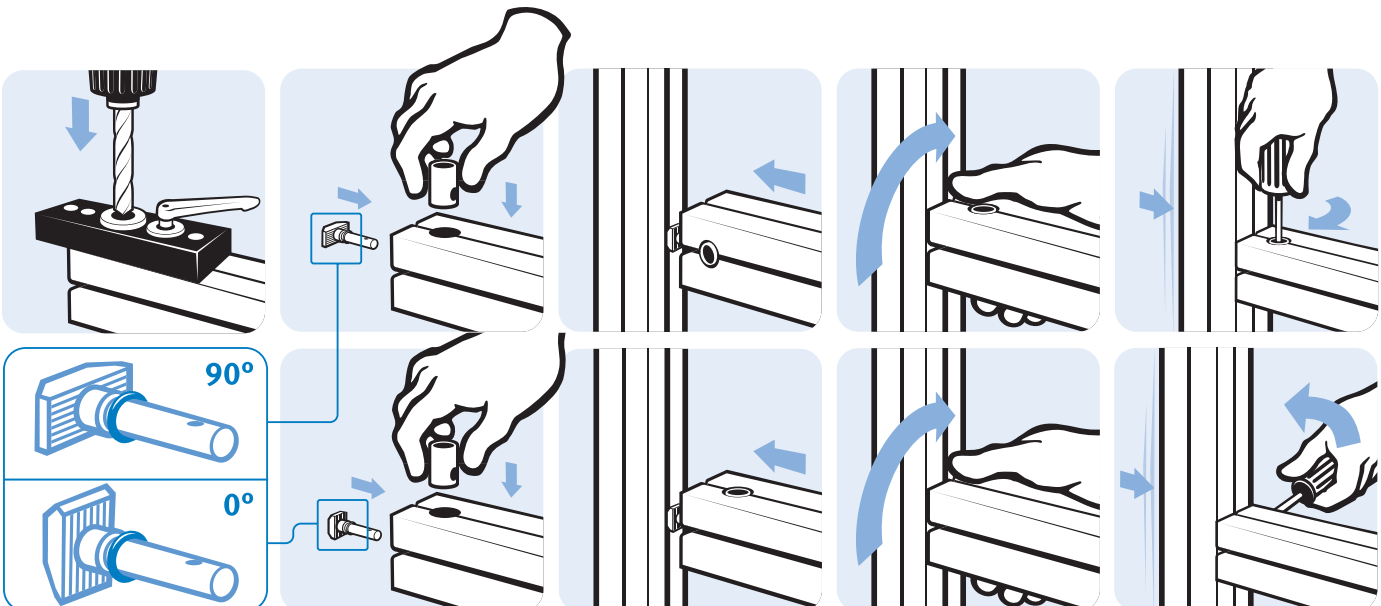
**Pack Quantity** 10 pieces



Ausführung Version	N	A [mm]	B [mm]	b [mm]	d [mm]	t [mm]	D [mm]	L [mm]	SW [mm]	Gewicht [g] Weight [g]		Teil-Nr. Part #
0°	8	15.5	5.0	18.0	Ø11	22.0	7.0	33.0	4	21.0	B	099B08110700
90°	8	15.5	5.0	18.0	Ø11	22.0	7.0	33.0	4	20.0	B	099B08110790
0°	8 / 10	19.5	5.5	18.0	Ø11	22.0	7.0	40.0	4	26.0	B	099B08110700S01
90°	8 / 10	19.5	5.5	18.0	Ø11	22.0	7.0	40.0	4	26.0	B	099B08110790S01
0°	10	19.5	5.5	22.5	Ø17	31.0 *(1) 34.0 *(2) 36.0 *(3) 41.0 *(4)	9.7	45.5	6	56.0	B	099B10171000
90°	10	19.5	5.5	22.5	Ø17	31.0 *(1) 34.0 *(2) 36.0 *(3) 41.0 *(4)	9.7	45.5	6	56.0	B	099B10171090
Abdeckkappe Cover Cap	10 *(1) *(2)	-	-	-	Ø17	-	-	-	-	0.6	B	091107
	10 *(3)	-	-	-	Ø17	-	-	-	-	0.6	B	091108

\* (1) = Profil 40; (2) = Profil 45; (3) = Profil 50; (4) = Profil 60

\* (1) = profile 40; (2) = profile 45; (3) = profile 50; (4) = profile 60





**Zentralverbinder**

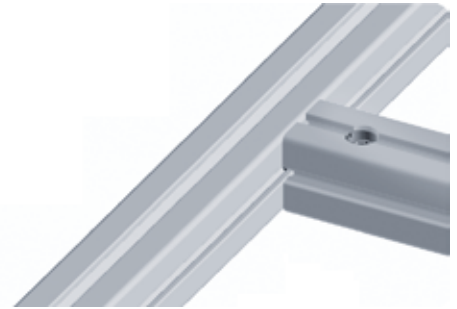
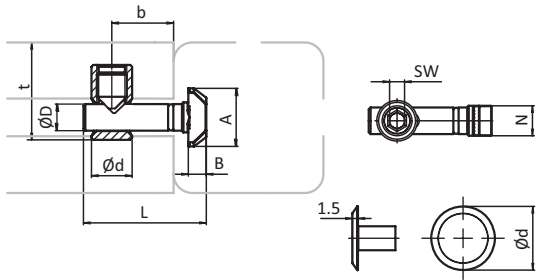
**Central Connector**

**Beschreibung** Stahl zur rechtwinkligen Verbindung von zwei Aluminiumprofilen; zur Montage muss ein Sack- oder Durchgangsloch in eines der Profile gebohrt werden

**Material** Stahl  
**Oberfläche** verzinkt  
**Liefereinheit** 10 Stück

**Description** *Steel* To connect two aluminum profiles at right angles; a blind or through hole must be drilled through one of the profiles to provide access to the tightening screw

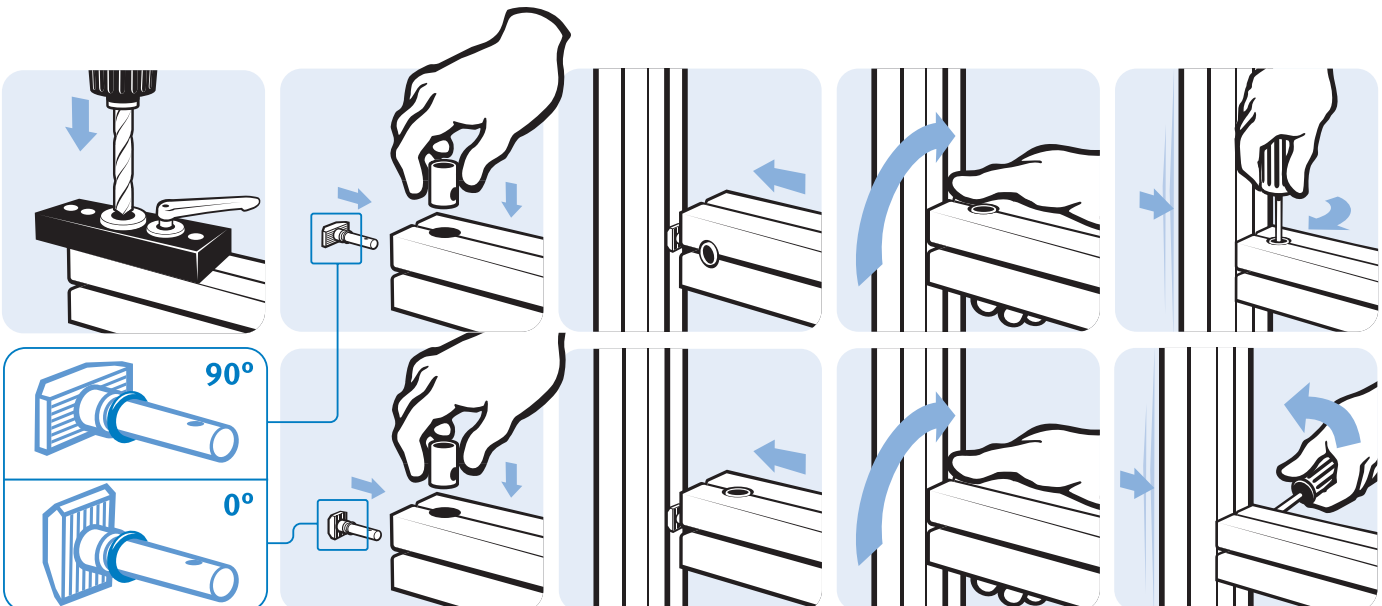
**Material** *Steel*  
**Surface** *Zinc plated*  
**Pack Quantity** *10 pieces*



Ausführung Version	N	A [mm]	B [mm]	b [mm]	d [mm]	t [mm]	D [mm]	L [mm]	SW [mm]	Gewicht [g] Weight [g]		Teil-Nr. Part #
0°	8	15.5	5.0	18.0	Ø11	22.0	7.0	33.0	4	21.0	B	099B08110700
90°	8	15.5	5.0	18.0	Ø11	22.0	7.0	33.0	4	20.0	B	099B08110790
0°	8 / 10	19.5	5.5	18.0	Ø11	22.0	7.0	40.0	4	26.0	B	099B08110700S01
90°	8 / 10	19.5	5.5	18.0	Ø11	22.0	7.0	40.0	4	26.0	B	099B08110790S01
0°	10	19.5	5.5	22.5	Ø17	31.0 *(1) 34.0 *(2) 36.0 *(3) 41.0 *(4)	9.7	45.5	6	56.0	B	099B10171000
90°	10	19.5	5.5	22.5	Ø17	31.0 *(1) 34.0 *(2) 36.0 *(3) 41.0 *(4)	9.7	45.5	6	56.0	B	099B10171090
Abdeckkappe Cover Cap	10 *(1) *(2)	-	-	-	Ø17	-	-	-	-	0.6	B	091107
	10 *(3)	-	-	-	Ø17	-	-	-	-	0.6	B	091108

\* (1) = Profil 40; (2) = Profil 45; (3) = Profil 50; (4) = Profil 60

\* (1) = profile 40; (2) = profile 45; (3) = profile 50; (4) = profile 60





## Zentralverbinder

## Central Connector

**NEU  
NEW**

**Beschreibung** Edelstahl zur rechtwinkligen Verbindung von zwei Aluminiumprofilen; zur Montage muss ein Loch in eines der Profile gebohrt werden

**Material** Edelstahl

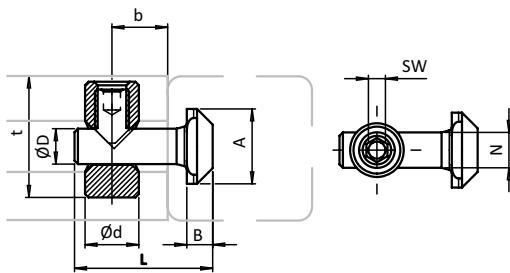
**Liefereinheit** 10 Stück

*Stainless Steel*

**Description** *To connect two aluminum profiles at right angles; a hole must be drilled through one of the profiles to provide access to the tightening screw*

**Material** *Stainless steel*

**Pack Quantity** *10 pieces*



Ausführung Version	N	A [mm]	B [mm]	b [mm]	d [mm]	D [mm]	t [mm]	L [mm]	SW [mm]	Gewicht [g] Weight [g]		Teil-Nr. Part #
0° / 90°	6.0	11.0	3.8	10.0	8.0	5.2	18.5	20.3	2.5	9.5	<b>B</b>	<b>099B060805</b>