



## Profilgleiter Steg mittig 10

## Profile Slider Center Ridge 10

Nut 10

**Beschreibung** zur gleitenden Führung von Profilen mit Nut 10; ökonomische und verschleißarme Lösung, z. B. für Schiebetüren

**Material** Kunststoff POM

**Oberfläche** natur

**Befestigung** mit Blechschrauben

**Liefereinheit** 10 Stück

Slot 10

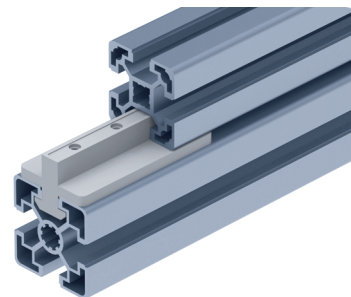
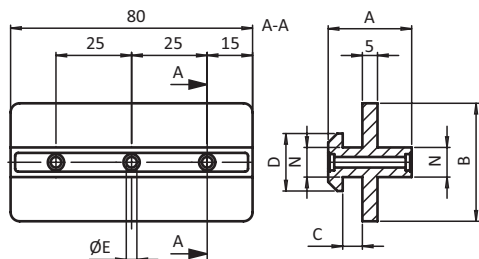
*To guide slidingly profiles with slot 10; economic and wear-resistant solution, e.g. for sliding doors*

*Plastic POM*

*nature*

**Fastening** *with sheet-metal screws*

**Pack Quantity** *10 pieces*

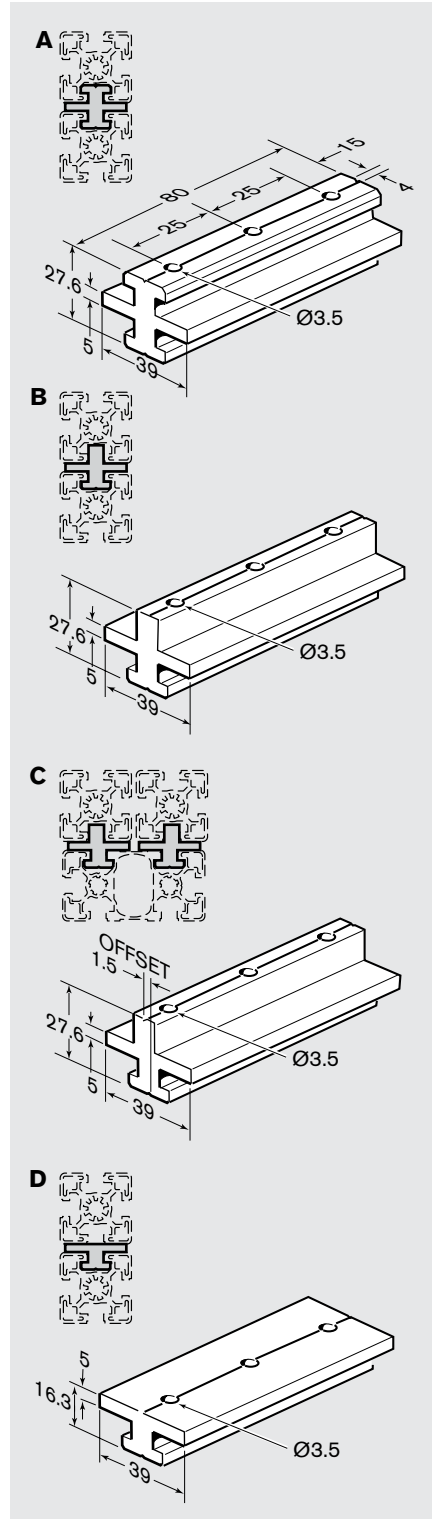


Profilgleiter Nut mittig  
*Profile Slider Center Slot*

N	A [mm]	B [mm]	C [mm]	D [mm]	E [mm]	Gewicht [g] <i>Weight [g]</i>	Teil-Nr. <i>Part #</i>
10	27.6	39.0	6.5	19.0	3.5	48.0	<b>B</b> 093SM10S01

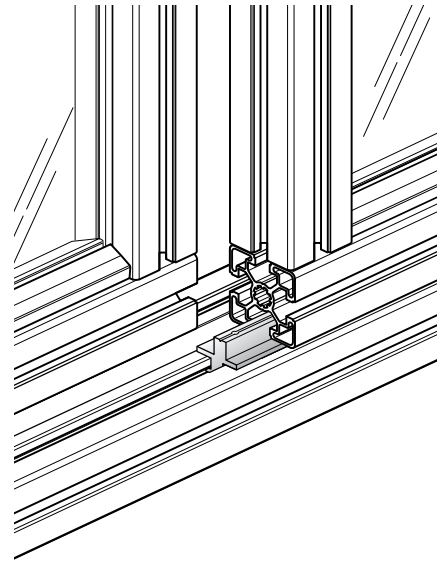
Section 13: EcoSlide™ Linear Sliding Carriages and Bearings


Slide Bearings—10mm 



**Features:**

- Economical, low-wear slider bearings suitable for drawers and sliding or lifting doors
- Ideal applications where two profiles need to be moved manually along the same plane
- Offset slider D allows for multiple sliding elements, such as overlapping doors or windows
- Bearings made with Delrin® for low friction and long service life
- 10mm bearings are predrilled with 3.5mm diameter mounting holes (holes are NOT tapped)



Description	Lot Size	Part Number
<b>A</b> 10mm-to-10mm slide bearing	1	<b>3 842 523 205</b>
<b>B</b> 10mm slide bearing	1	<b>3 842 523 206</b>
<b>C</b> 10mm slide bearing, offset	1	<b>3 842 523 207</b>
<b>D</b> 10mm slide bearing, flat	1	<b>3 842 530 329</b> 

**Assembly Note**

$$\frac{P_V \times A}{S} = \text{Expected Life} / \text{Load for Delrin bearings}$$

- $P_V = 3000$  (Delrin)
- $A =$  Surface area of bearing in  $\text{mm}^2$
- $S =$  Speed in millimeters per minute